

4.5 cu. ft. Front Load Washer

- 4.5 cu. ft. Ultra Large Capacity
- Digital Dial Control with LCD Display & Touch Button Control Panel
- TurboWash® 360° Technology
- AI DD™ 2.0 Fabric Sensor / Smart Pairing™
- Tempered Glass Door
- 25 Cycles / 18 Options
- Allergiene™ Cycle
- ColdWash™ Option
- Direct Drive Motor (10-Year Limited Warranty)
- NeveRust™ Stainless Steel Tub
- LG ThinQ® Technology (Wi-Fi)



COLOR AVAILABILITY

- WM5700HVA – Graphite Steel

CAPACITY & MATCHING DRYERS

Capacity (cu. ft.)	4.5
Matching Electric Dryer	DLEX5500V
Matching Gas Dryer	DLGX5501V

APPEARANCE

Electronic Controls with LCD Display	Yes
Hard Buttons	Yes (On/Off and Pause)
Touch Buttons	Yes
Dial-A-Cycle™	Yes (Digital)

ENERGY & WATER

ENERGY STAR® Certified	Yes, Most Efficient
CEE Qualified	Tier 2
Integrated Modified Energy Factor (IMEF)	2.92
Integrated Water Factor (IWF)	3.0

WASH CYCLES

Number of Cycles	25
Wash Cycles	Normal, AI Wash, Bedding, Delicates, Towels, Quick Wash, Heavy Duty, Allergiene®, Perm. Press, Tub Clean, Bright Whites™, Sanitary, Rinse+Spin, Spin Only, Hand/Wool, Active Wear, Swimwear, Kids Wear, Jeans, Dresses, Color Care, Sweat Stains, Small Load, Large Load, X Large Load

WASH OPTIONS

Number of Options	18
Options	TurboWash®, Steam, Fresh Care, Pre-wash, Remote Start, Delay Wash, Wi-Fi, Add Item, Extra Rinse, Control Lock, Drum Light, Cold Wash, Detergent Level, Softener Level, Signal, Cycle List Edit, Cycle Optimization, Softener Tank Use

WASH DETAILS

Internal Heater	Yes
Number of Wash / Rinse Temps	5
Wash / Rinse Temps	Extra Hot, Hot, Warm, Cold, Tap Cold
Number of Spin Speeds	5
Spin Speeds	Extra High, High, Medium, Low, No Spin
Max RPM	1,300
Water Levels	Load Sensing
Number of Soil Levels	5
AAFA Certified	Yes

FABRIC CARE

AI DD™	Yes
Wash Technology	TurboWash® 360
Steam Technology	Yes
Allergiene™ Cycle	Yes
Sanitary Cycle	Yes
ColdWash™ Option	Yes
AI Fabric Sensor	Yes
Soil Level Sensor	No

CONVENIENCE

Vibration Sensing (Cabinet Vibration Sensor)	Yes
TrueBalance™ Anti-Vibration System	Yes
Dispenser Type	4-Tray (Prewash, Main Wash with Liquid Detergent Cup, Bleach, Fabric Softener)
Drum Light	Yes
End of Cycle Signal	Yes
LoadSense	Yes
Control Lock	Yes
Auto Suds Removal	Yes
4 Adjustable Leveling Legs	Yes
ADA Compliant	No

SMART FEATURES

Wi-Fi Enabled	Yes
ThinQ® Technology	Yes
ThinQ Care	Yes
Voice Control	Google Assistant, Amazon Alexa
SmartDiagnosis™	Yes
Remote Start (On / Off)	Yes
Remote Monitoring & Notifications	Yes
Energy Monitoring	Yes
Tub Clean Coach	Yes

MOTOR AND AGITATOR

Motor Type	Direct Drive Motor
Axis	Horizontal

MATERIALS AND FINISHES

NeveRust™ Stainless Steel Drum	Yes
Cabinet	Painted Steel
Control Panel	Painted Steel
Top Plate	Painted Steel
Door / Rim	Glass / STS Silver
Door Cover	Tempered Glass Door

TECHNICAL SPECS

Electrical Requirements	120V, 60 Hz, 10 Amps
Type	Electric
Power Outlet Location	Within 60" of Either Side
Plug Type	3-Prong (Cord Attached to Unit)
Min. / Max. Water Pressure	20 - 120 psi

INCLUDED ACCESSORIES

Drain Hose, Non-Skid Pads, Hole Caps, Wrench, Tie Strap, Elbow Bracket (for Securing Drain Hose)

OPTIONAL ACCESSORIES

Pedestal	WDP6V
Pedestal (W x H x D)	27" x 13 5/8" x 28" (43 7/8" D with Door Open)
ADA-Compliant Pedestal Riser	Graphite Steel N/A (Black or White Only: WDPS2B, WDPS2W)
ADA-Compliant Pedestal Riser (W x H x D)	27" x 5 1/8" x 27"
LG Sidekick™ Pedestal Washer	WD300CV
LG Sidekick™ Pedestal Washer (W x H x D)	27" x 14 1/8" x 30 3/4" (50 1/2" D with Drawer Open)
Stacking Kit	KSTK4

DIMENSIONS

Product (W x H x D)	27" x 39" x 30 1/4"
Depth with Door Open	55"
Cutout Dimensions (W x H x D)	29" x 39 1/4" x 34 1/4"
Carton Dimensions (W x H x D)	29" x 41 39/64" x 30 29/32"
Approx. Weight (Product / Carton)	207.2 lbs. / 218.2 lbs.

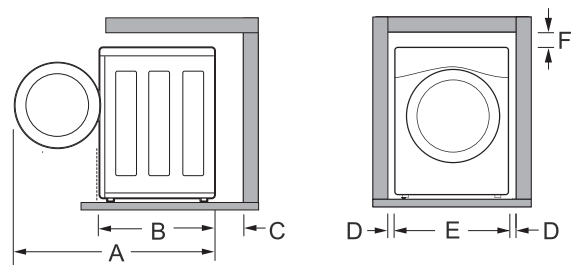
LIMITED WARRANTY

Parts and Labor	1 Year
Direct Drive Motor	10 Years (Parts Only)
Drum	3 Years (Parts Only)

DIMENSIONS / CLEARANCES

FLOOR INSTALLATION

To ensure sufficient clearance for water inlet hoses, drain hose and airflow, allow minimum clearances of at least 1 inch (2.5 cm) at the sides and 4 inches (10 cm) behind the washer. Be sure to allow for wall, door, or floor moldings that may increase the required clearances.

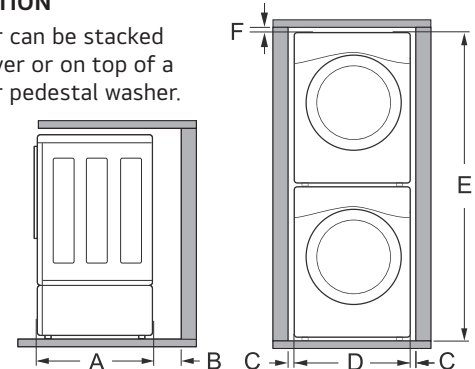


DIMENSIONS / CLEARANCES

A	55" (139.6 cm)
B	30 1/4" (77 cm)
C	4" (10 cm)
D	1" (2.5 cm)
E	27" (70 cm)
F	1/4" (0.5 cm)

STACKING OR PEDESTAL INSTALLATION

The washer can be stacked under a dryer or on top of a pedestal or pedestal washer.



DIMENSIONS / CLEARANCES

A	30 1/4" (77 cm)
B	4" (10 cm)
C	1" (2.5 cm)
D	27" (70 cm)
E	77 1/2" (196.8 cm)
F	1/4" (0.5 cm)